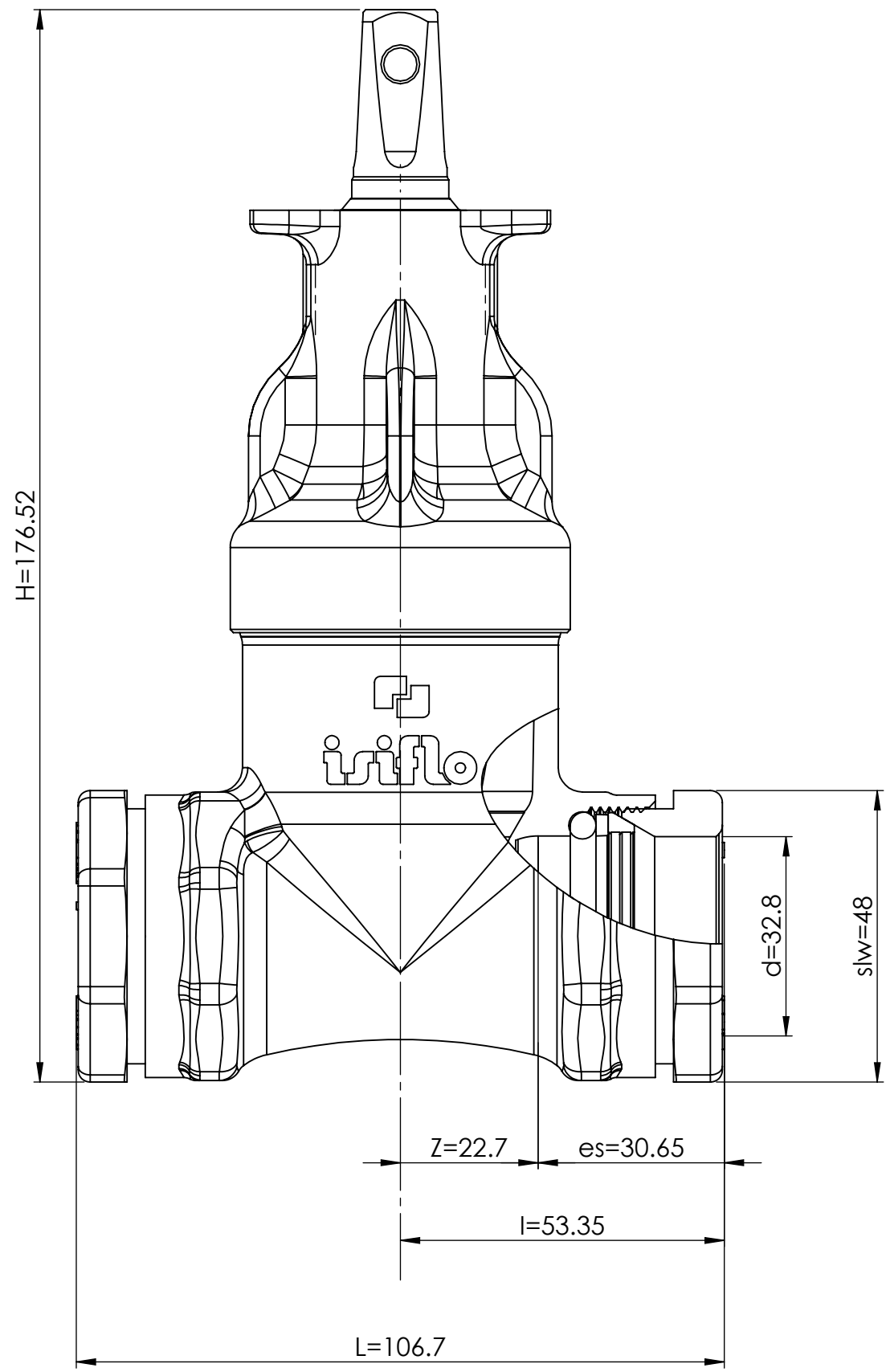



REV.	DESCRIPTION	ECO (Y/N)	REVISION BY / DATE	APPROVED BY / DATE
-	Released for production.		TAS / 21.12.16	JSB / 21.12.16



DESCRIPTION	VOL [mm <sup>3</sup> ]	WEIGHT [g]	MATERIAL	NOTE
GENERAL TOLERANCE	SCALE	FINISH		
DESIGNER / DATE	1:1			
Tor Arne Stjern / 22.06.14				
PART & DIMENSION:			ARTICLE / DRAWING NUMBER:	REV.:
Type 200 Stop Valve 32 mm			6212004 - Måltegning	-
PRODUCT GROUP:			REFERENCE DRAWING:	SHEET 1 OF 1
Isiflo Brass Couplings				A3

This drawing is property of ISIFLO AS.  
 The right to use this drawing /  
 description belongs to ISIFLO AS.  
 The drawing must not be copied,  
 distributed or submitted to persons  
 not concerned.

