



# Oras Saga

INSTALLATION AND MAINTENANCE GUIDE





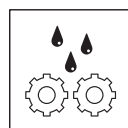
4-9



10-12



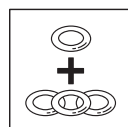
12



13-19



20

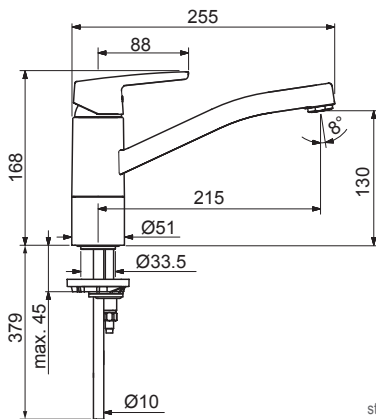
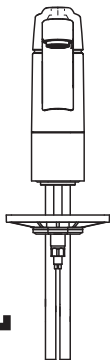


21-26



### 3930

I (ISO 3822)  
 EN 817  
 50 - 1000 kPa  
 0.18 l/s (300 kPa)  
 300 kPa (0.2 l/s)  
 max. +80°C



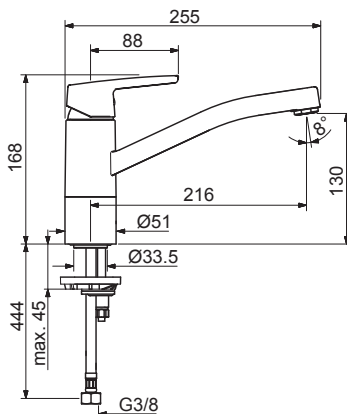
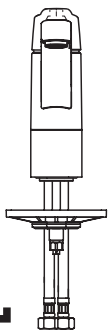
static.oras.com/3930

1444 KIWA Sverige 1913



### 3930F

I (ISO 3822)  
 EN 817  
 50 - 1000 kPa  
 0.16 l/s (300 kPa)  
 300 kPa (0.2 l/s)  
 max. +80°C



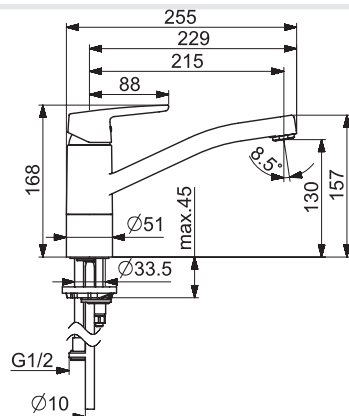
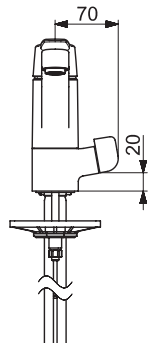
static.oras.com/3930F

1444 KIWA Sverige 1913



### 3935

I (ISO 3822)  
 EN 817  
 50 - 1000 kPa  
 0.18 l/s (300 kPa)  
 300 kPa (0.2 l/s)  
 max. +80°C



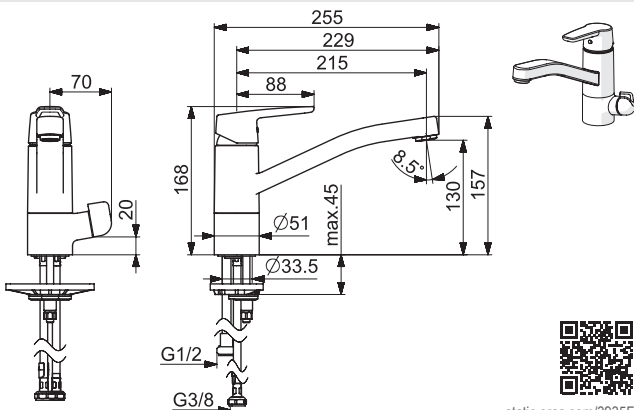
static.oras.com/3935

1444 KIWA Sverige 1913



### 3935F

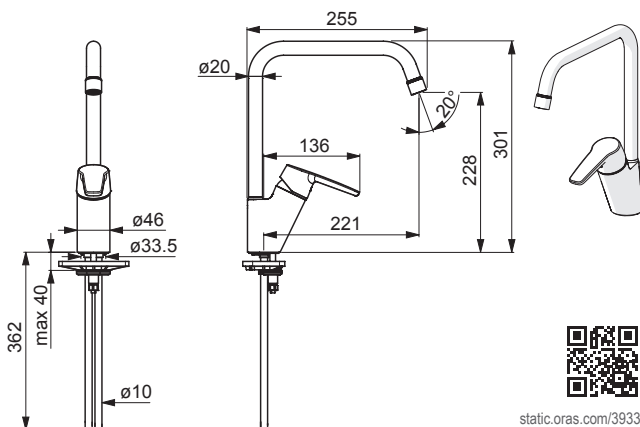
I (ISO 3822)  
EN 817  
50 - 1000 kPa  
0.16 l/s (300 kPa)  
300 kPa (0.2 l/s)  
max. +80°C



1444 KIWA Sverige 1913

### 3933

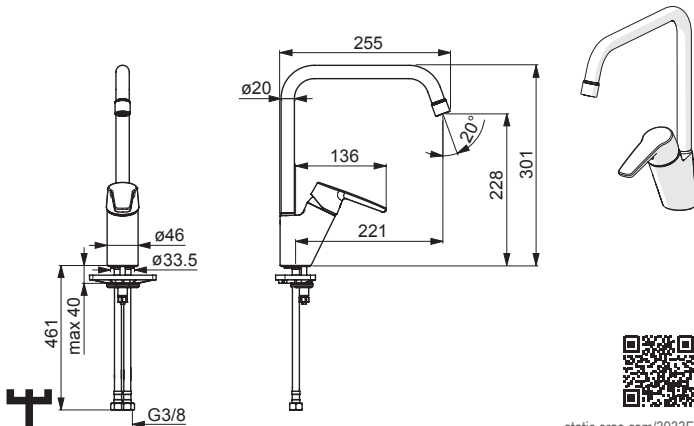
I (ISO 3822)  
EN 817  
50 - 1000 kPa  
0.19 l/s (300 kPa)  
300 kPa (0.2 l/s)  
max. +80°C



1444 KIWA Sverige 1913

### 3933F

I (ISO 3822)  
EN 817  
50 - 1000 kPa  
0.17 l/s (300 kPa)  
300 kPa (0.2 l/s)  
max. +80°C

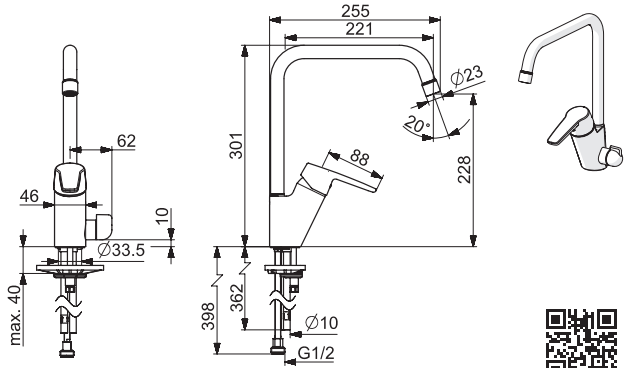


1444 KIWA Sverige 1913



### 3934

I (ISO 3822)  
 50 - 1000 kPa  
 0.22 l/s (300 kPa)  
 300 kPa (0.2 l/s)  
 max. +80°C

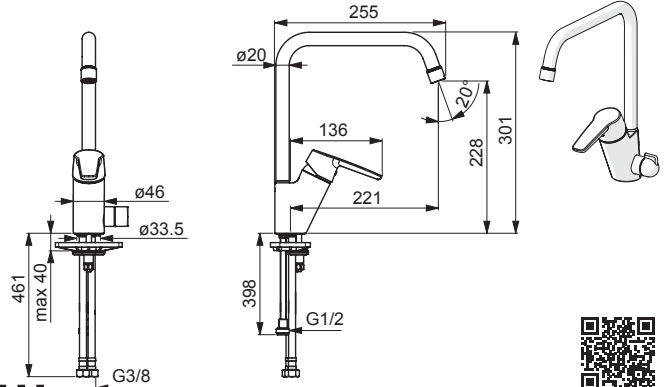


static.oras.com/3934

1444 KIWA Sverige 1913

### 3934F

I (ISO 3822)  
 EN 817  
 50 - 1000 kPa  
 0.18 l/s (300 kPa)  
 300 kPa (0.2 l/s)  
 max. +80°C

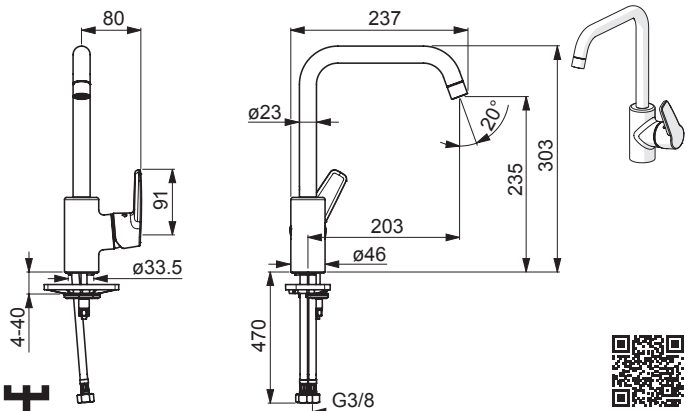


static.oras.com/3934F

1444 KIWA Sverige 1913

### 3931F

I (ISO 3822)  
 EN 817  
 50 - 1000 kPa  
 0.16 l/s (300 kPa)  
 300 kPa (0.2 l/s)  
 max. +80°C



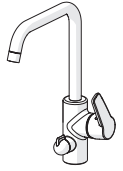
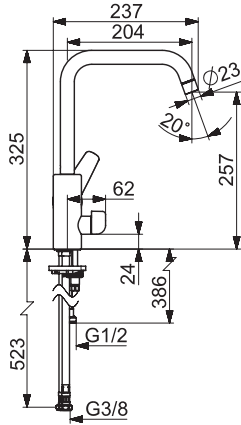
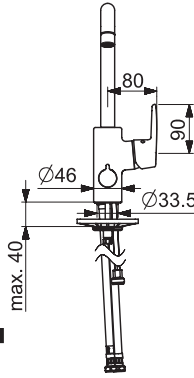
static.oras.com/3931F

1444 KIWA Sverige 1913



## 3936F

I (ISO 3822)  
EN 817  
50 - 1000 kPa  
0.16 l/s (300 kPa)  
300 kpa (0.2 l/s)  
max. +80°C



1444 KIWA Sverige 1913

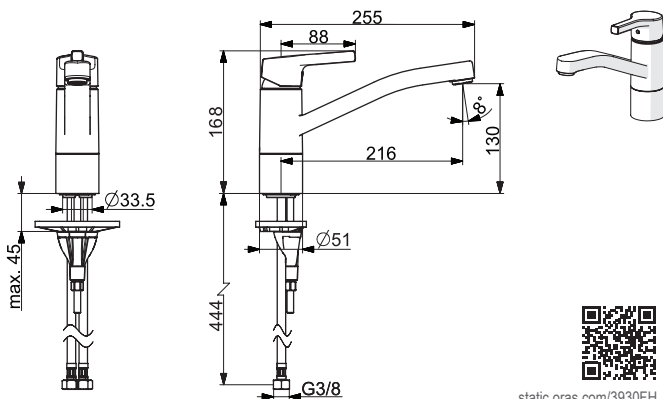


[static.oras.com/3936F](http://static.oras.com/3936F)



### 3930FH

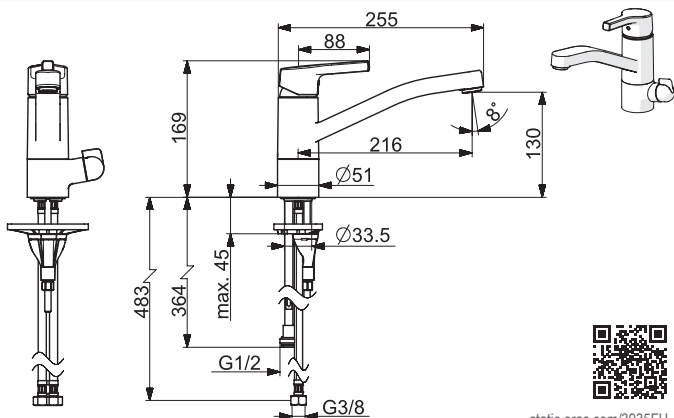
I (ISO3822)  
 EN 817  
 50 - 1000 kPa  
 0.16 l/s (300 kPa)  
 max. +80°C



[static.oras.com/3930FH](http://static.oras.com/3930FH)

### 3935FH

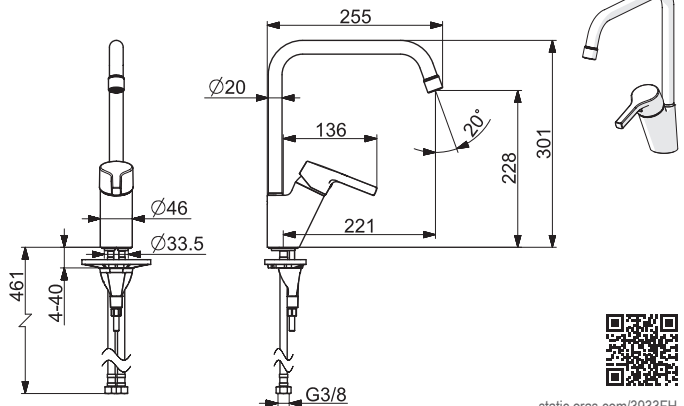
I (ISO3822)  
 EN 817  
 50 - 1000 kPa  
 0.16 l/s (300 kPa)  
 max. +80°C



[static.oras.com/3935FH](http://static.oras.com/3935FH)

### 3933FH

I (ISO3822)  
 EN 817  
 50 - 1000 kPa  
 0.17 l/s (300 kPa)  
 max. +80°C

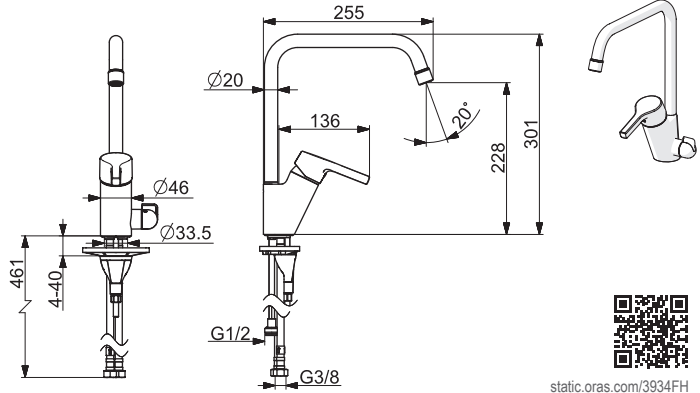


[static.oras.com/3933FH](http://static.oras.com/3933FH)



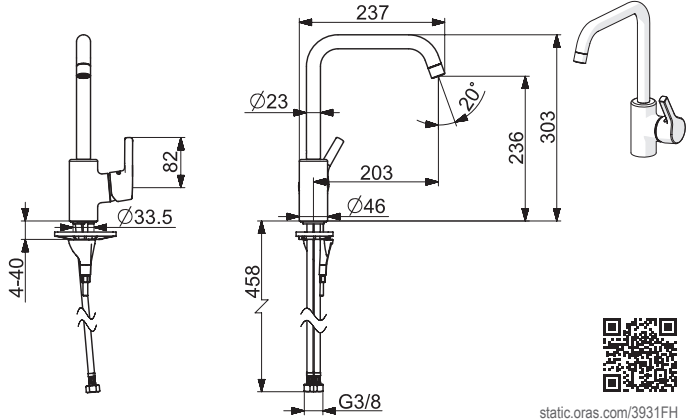
### 3934FH

I (ISO3822)  
EN 817  
50 - 1000 kPa  
0.19 l/s (300 kPa)  
max. +80°C



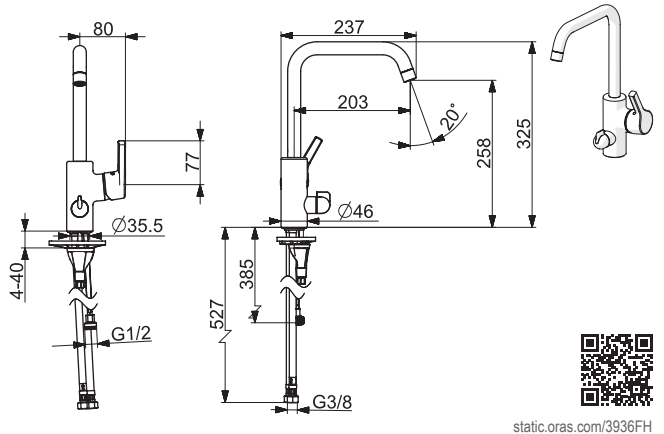
### 3931FH

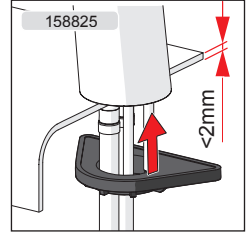
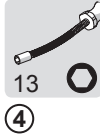
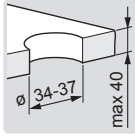
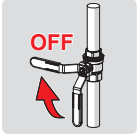
I (ISO3822)  
EN 817  
50 - 1000 kPa  
0.16 l/s (300 kPa)  
max. +80°C



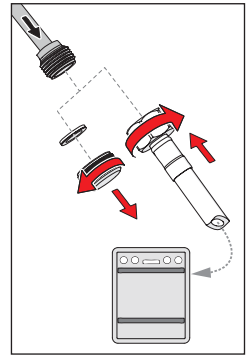
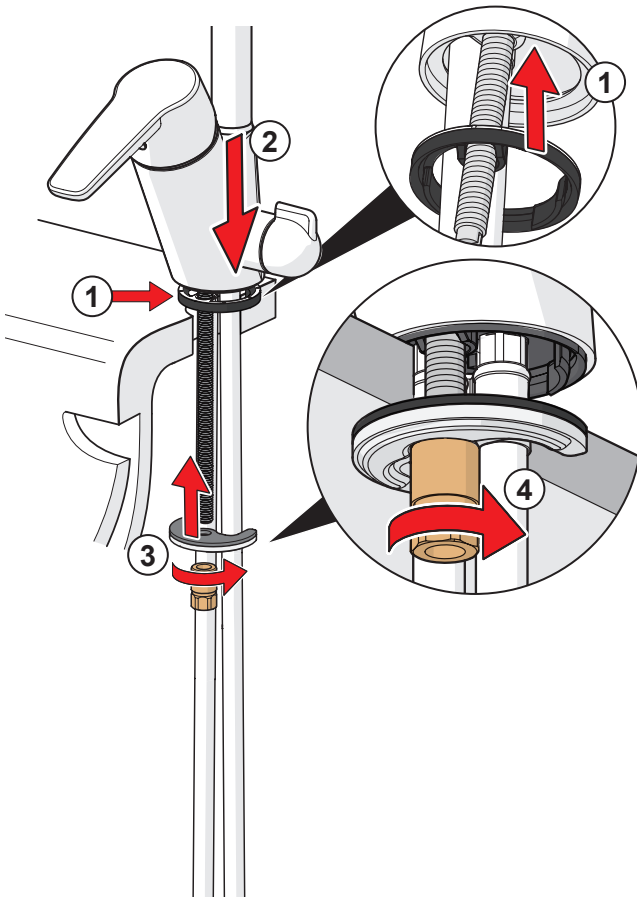
### 3936FH

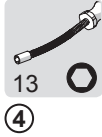
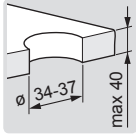
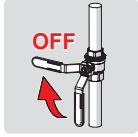
I (ISO3822)  
EN 817  
50 - 1000 kPa  
0.16 l/s (300 kPa)  
max. +80°C





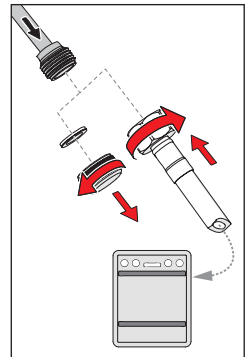
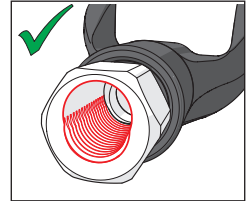
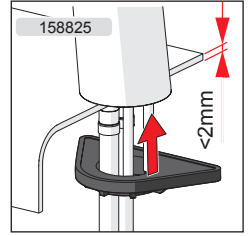
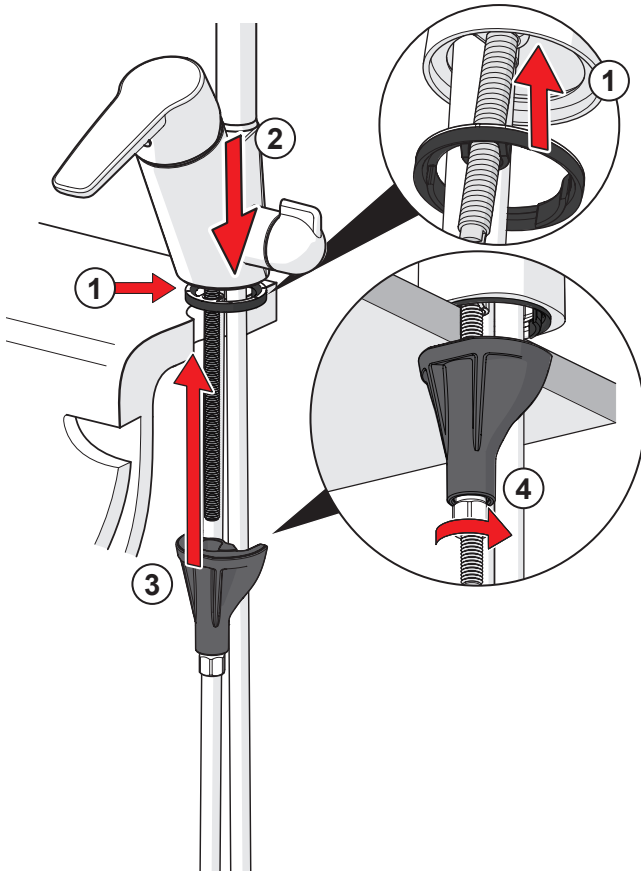
A





max.  
1600 kPa

**B**

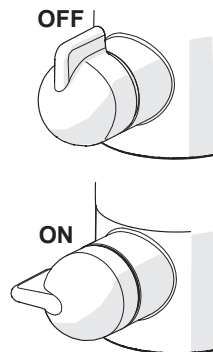
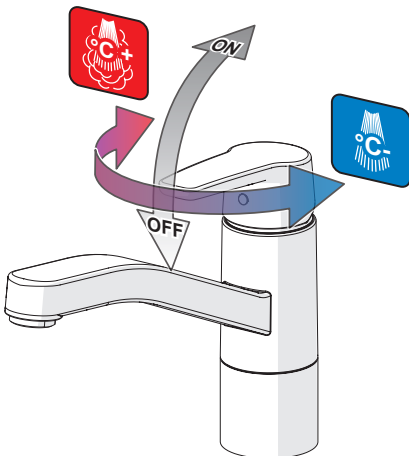
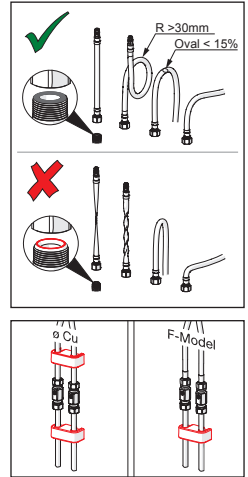
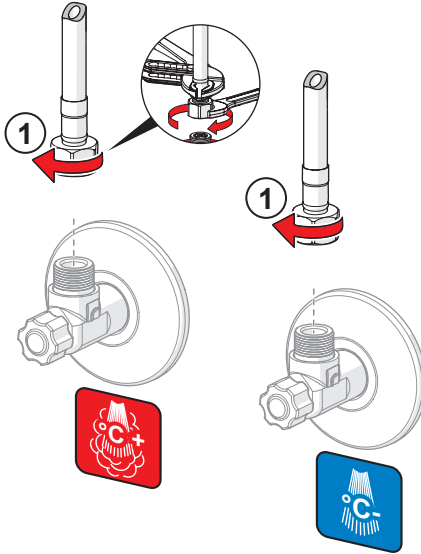


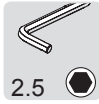


①

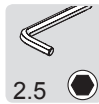
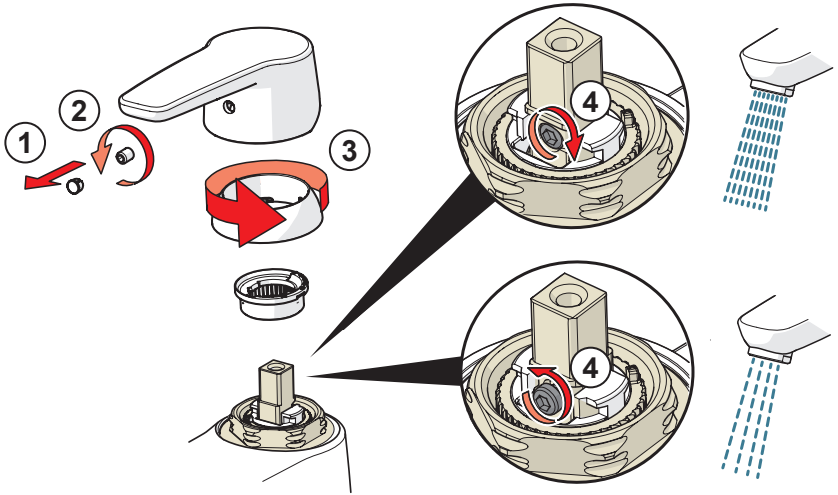
max.  
1600 kPa

②

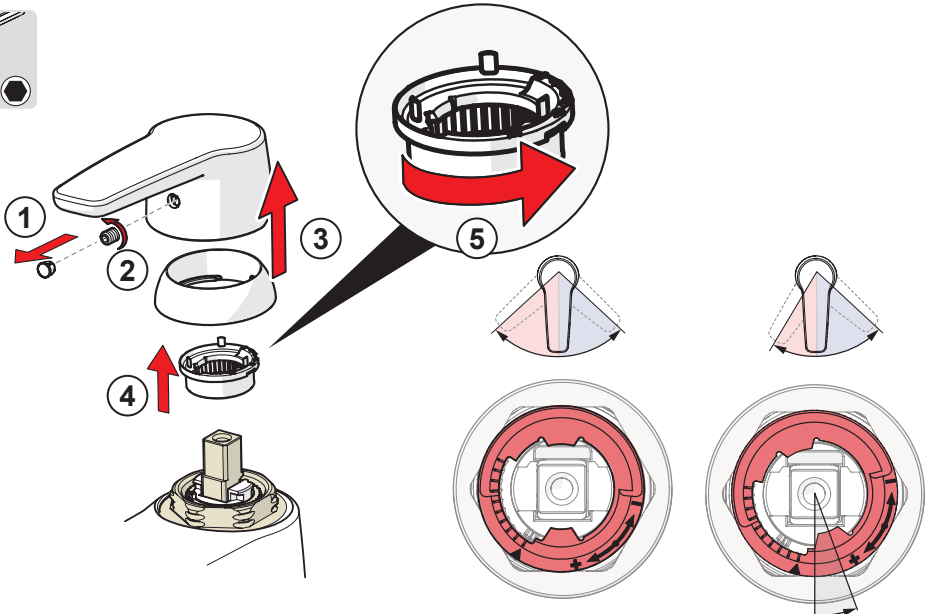


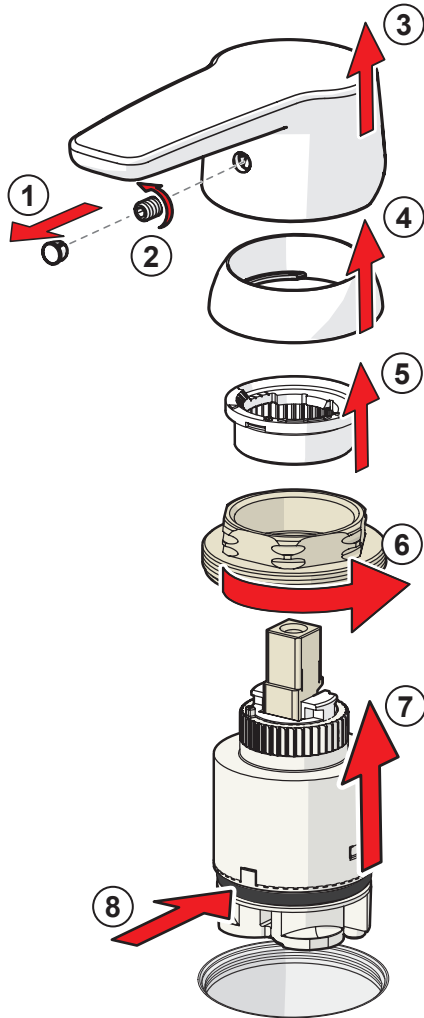
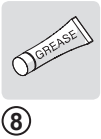
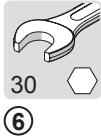
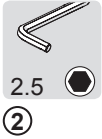
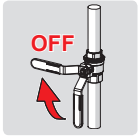


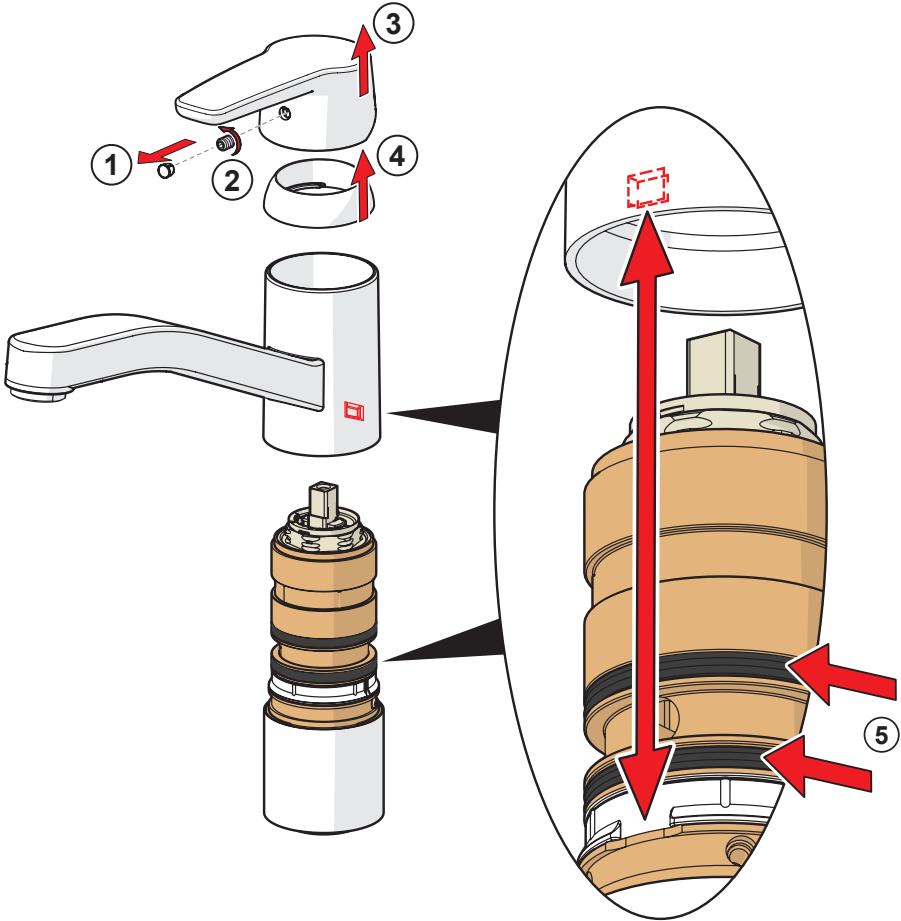
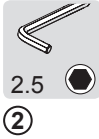
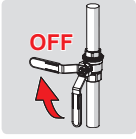
2.5  
②

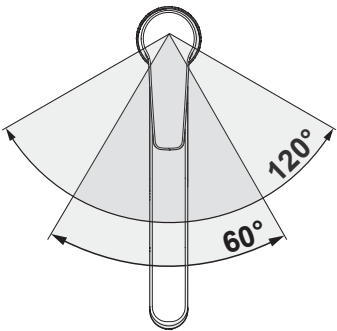
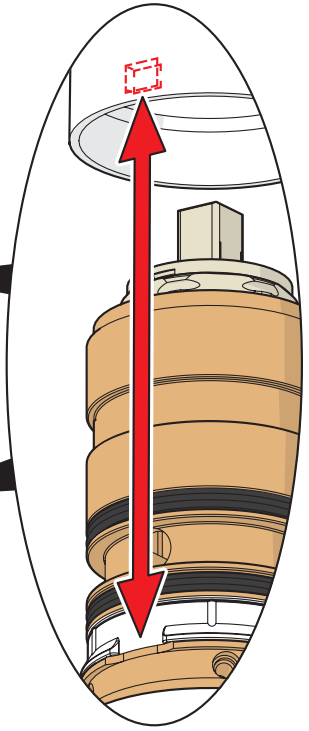
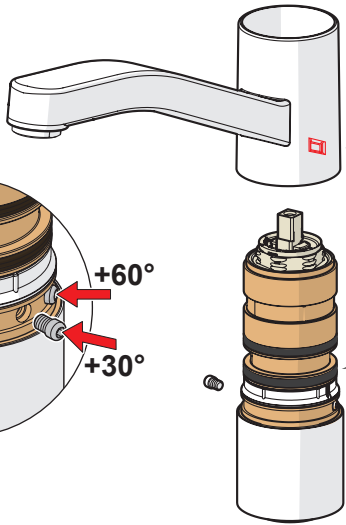
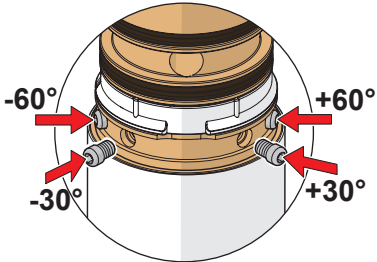
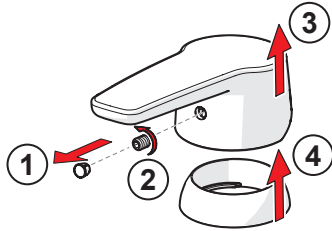
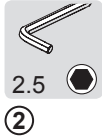
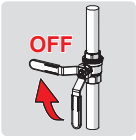


2.5  
②

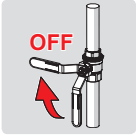




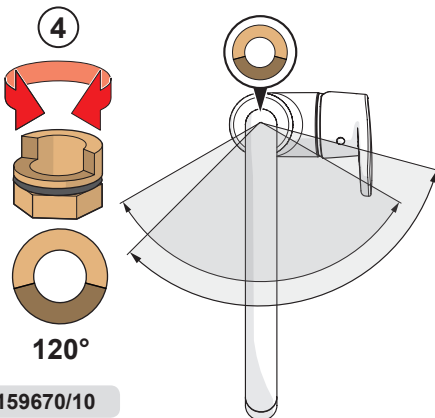
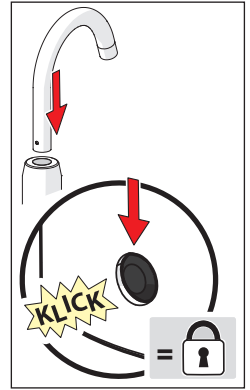
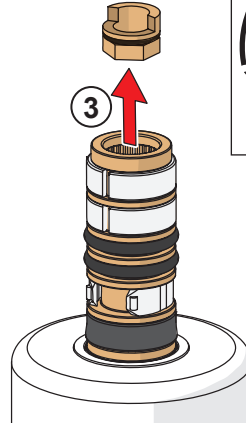
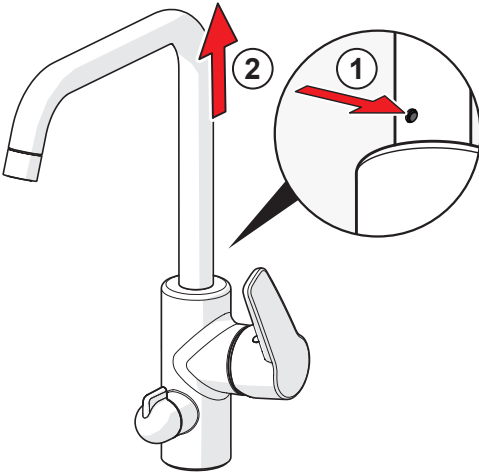




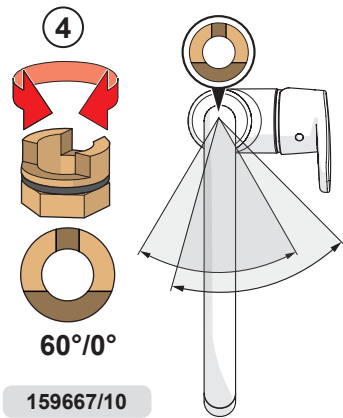




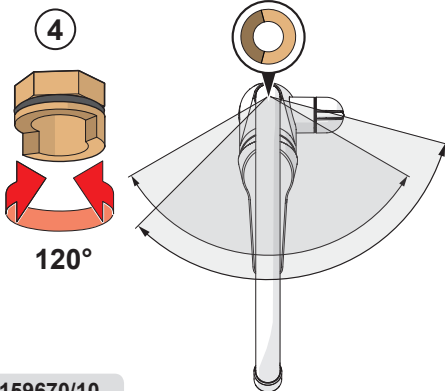
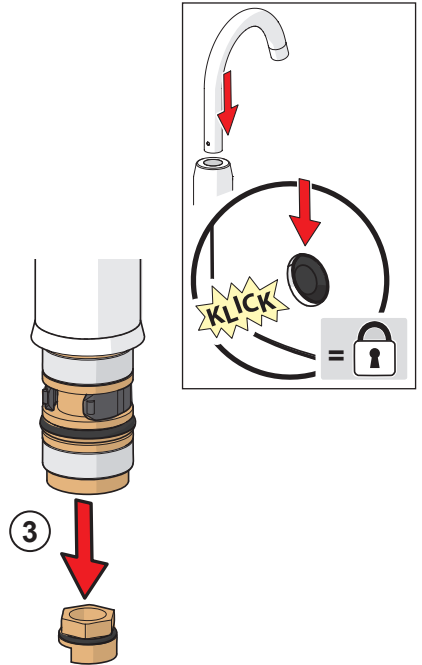
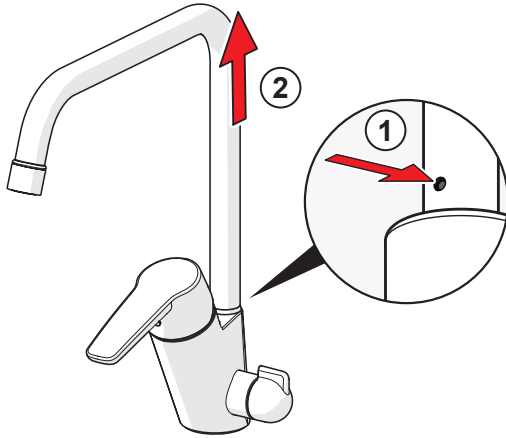
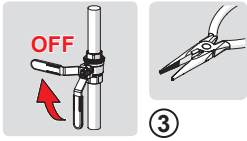
3



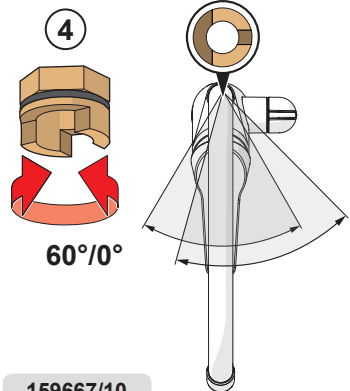
159670/10



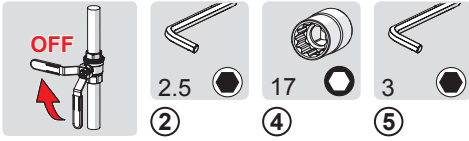
159667/10



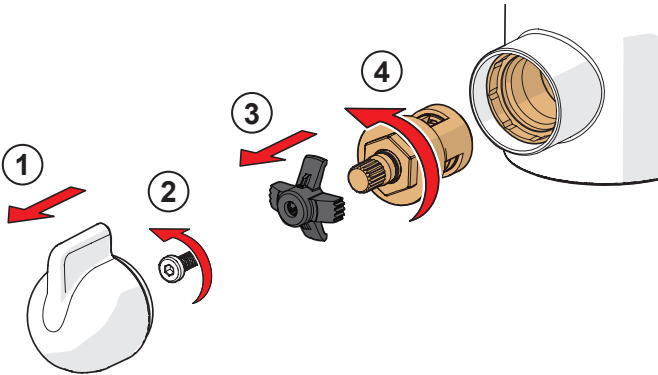
159670/10



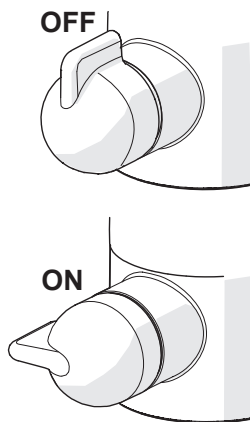
159667/10

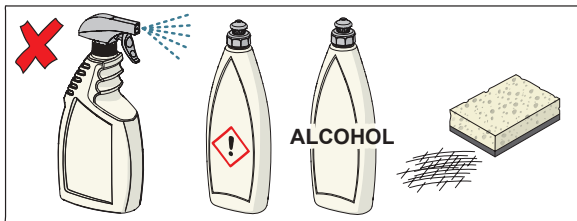
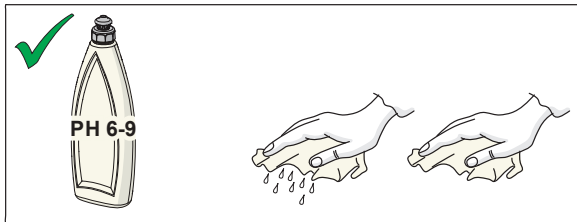
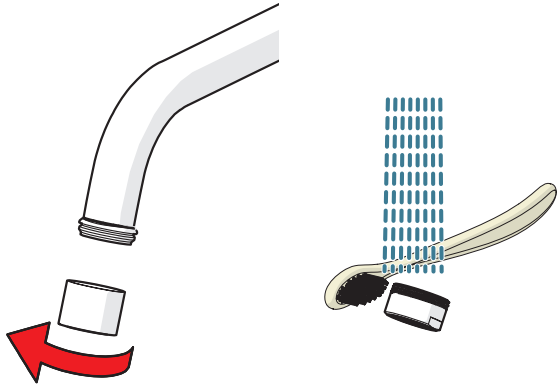


1



2

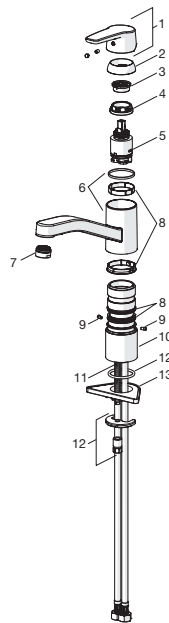




CLEANING.ORAS.COM

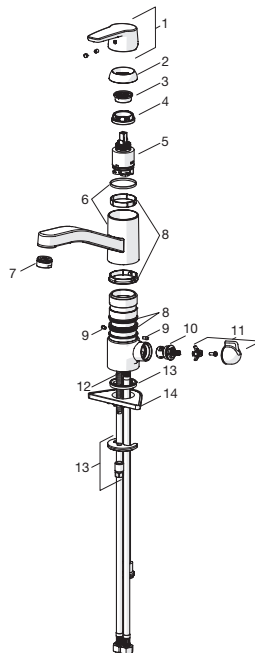
### 3930 , 3930F

- 1 1000801V
- 2 601967V
- 3 601973V
- 4 601979V
- 5 601969V
- 6 1000832V
- 7 602064V
- 8 601983V
- 9 1000980/2
- 10 601982V
- 11 601970V
- 12 601985V
- 13 158825



### 3935 , 3935F

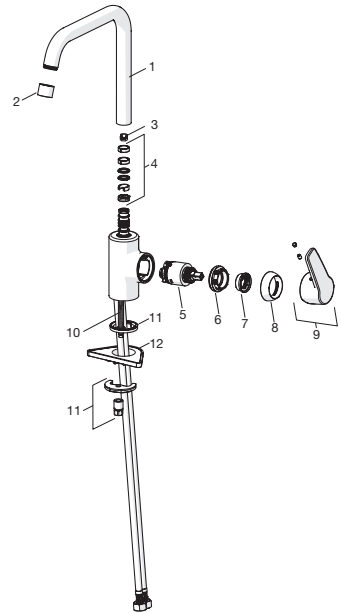
- 1 1000801V
- 2 601967V
- 3 601973V
- 4 601979V
- 5 601969V
- 6 1000832V
- 7 602064V
- 8 601983V
- 9 1000980/2
- 10 602600V
- 11 1005697V
- 12 601970V
- 13 601985V
- 14 158825





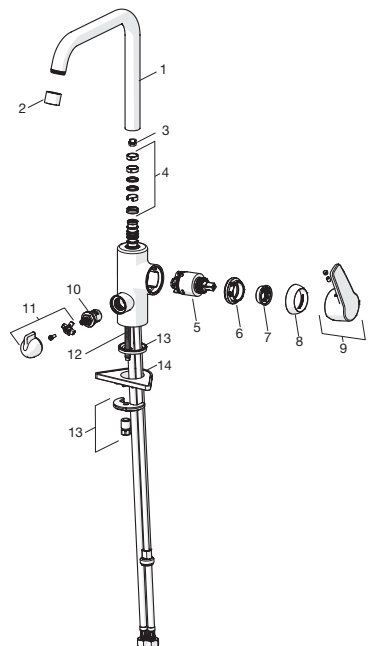
### 3931F

- 1 1001049V
- 2 1001070V
- 3 159667/10 (0°/60°)
- 3 159670/10 (120°)
- 4 1001098V
- 5 601969V
- 6 601968V
- 7 601973V
- 8 601967V
- 9 1000986V
- 10 601970V
- 11 601985V
- 12 158825



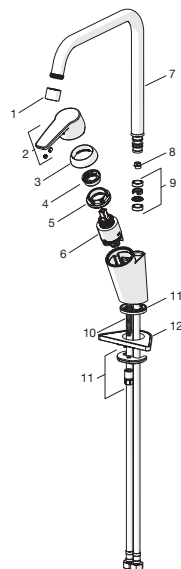
### 3936F

- 1 1001049V
- 2 1001070V
- 3 159667/10
- 3 159670/10
- 4 1001098V
- 5 601969V
- 6 601968V
- 7 601973V
- 8 601967V
- 9 1000986V
- 10 602600V
- 11 1005697V
- 12 601970V
- 13 601985V
- 14 158825



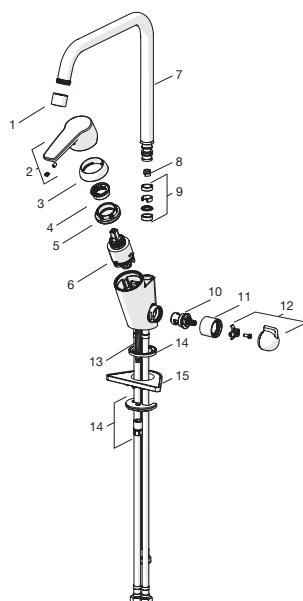
### 3933 , 3933F

- 1 1001070V
- 2 1000801V
- 3 601967V
- 4 601973V
- 5 601968V
- 6 601969V
- 7 1000228V
- 8 159670/10 (120°)
- 8 159667/10 (60°/0°)
- 9 198287V
- 10 601970V
- 11 601985V
- 12 158825



### 3934 , 3934F

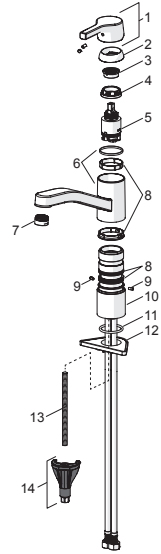
- 1 1001070V
- 2 1000801V
- 3 601967V
- 4 601973V
- 5 601968V
- 6 601969V
- 7 1000228V
- 8 159667/10
- 8 159670/10
- 9 198287V
- 10 602600V
- 11 1000240V
- 12 1005697V
- 13 601970V
- 14 601985V
- 15 158825





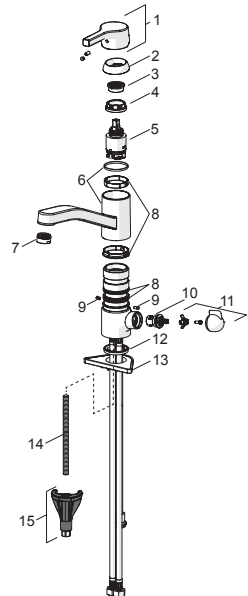
### 3930FH

- 1 1005671V
- 2 601967V
- 3 601973V
- 4 601979V
- 5 601969V
- 6 1000832V
- 7 602064V
- 8 601983V
- 9 1000980/2
- 10 601982V
- 11 1002371V
- 12 158825
- 13 1000780V
- 14 602610V



### 3935FH

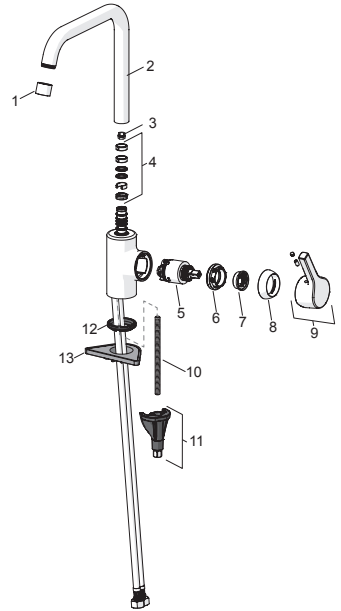
- 1 1005671V
- 2 601967V
- 3 601973V
- 4 601979V
- 5 601969V
- 6 1000832V
- 7 602064V
- 8 601983V
- 9 1000980/2
- 10 602600V
- 11 1005697V
- 12 1002371V
- 13 158825
- 14 1000780V
- 15 602610V





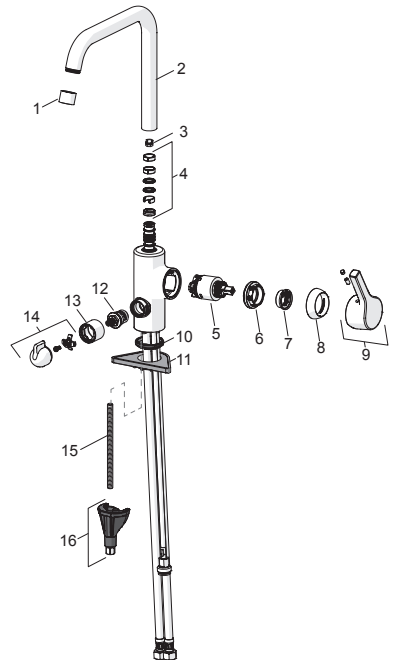
### 3931FH

- 1 1001070V
- 2 1001049V
- 3 159670/10 (120°)
- 3 159667/10 (0°/60°)
- 4 1001098V
- 5 601969V
- 6 601968V
- 7 601973V
- 8 601967V
- 9 1005672V
- 10 1000780V
- 11 602610V
- 12 1002371V
- 13 158825



### 3936FH

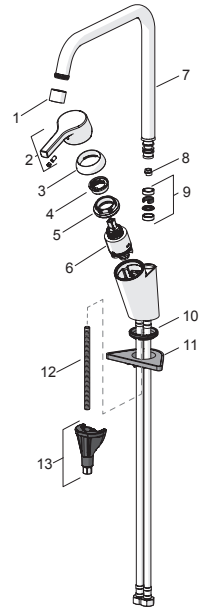
- 1 1001070V
- 2 1001049V
- 3 159667/10 (0°/60°)
- 3 159670/10 (120°)
- 4 1001098V
- 5 601969V
- 6 601968V
- 7 601973V
- 8 601967V
- 9 1005672V
- 10 1002371V
- 11 158825
- 12 602600V
- 13 1000240V
- 14 1005697V
- 15 1000780V
- 16 602610V





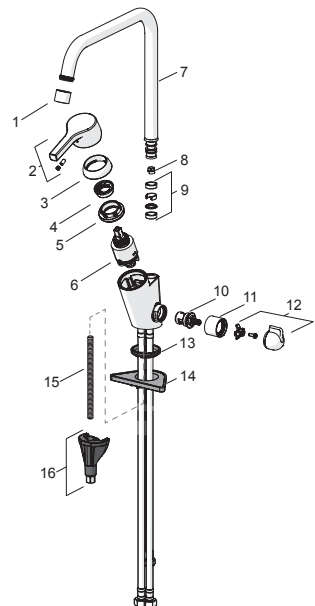
### 3933FH

- 1 1001070V
- 2 1005671V
- 3 601967V
- 4 601973V
- 5 601968V
- 6 601969V
- 7 1000228V
- 8 159670/10 (120°)
- 8 159667/10 (60°/0°)
- 9 198287V
- 10 1002371V
- 11 158825
- 12 1000780V
- 13 602610V



### 3934FH

- 1 1001070V
- 2 1005671V
- 3 601967V
- 4 601973V
- 5 601968V
- 6 601969V
- 7 1000228V
- 8 159670/10 (120°)
- 8 159667/10 (60°/0°)
- 9 198287V
- 10 602600V
- 11 1000240V
- 12 1005697V
- 13 1002371V
- 14 158825
- 15 1000780V
- 16 602610V





Oras Group is a powerful European provider of sanitary fittings: the market leader in the Nordics and a leading company in Continental Europe. The company's mission is to make the use of water easy and sustainable and its vision is to become the European leader of advanced sanitary fittings. Oras Group has two strong brands, Oras and Hansa.

The head office of the Group is located in Rauma, Finland, and the Group has three manufacturing sites: Kralovice (Czech Republic), Olesno (Poland) and Rauma (Finland). Oras Group employs approximately 1400 people in twenty countries. Oras Group is owned by Oras Invest, a family company and an industrial owner.

ORAS GROUP  
Isometsäntie 2, P.O. Box 40  
FI-26101 Rauma  
Tel. +358 2 83 161  
Fax +358 2 831 6300  
info.finland@oras.com  
www.oras.com

